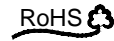


DHZ80II Dynamic Receiver Unit



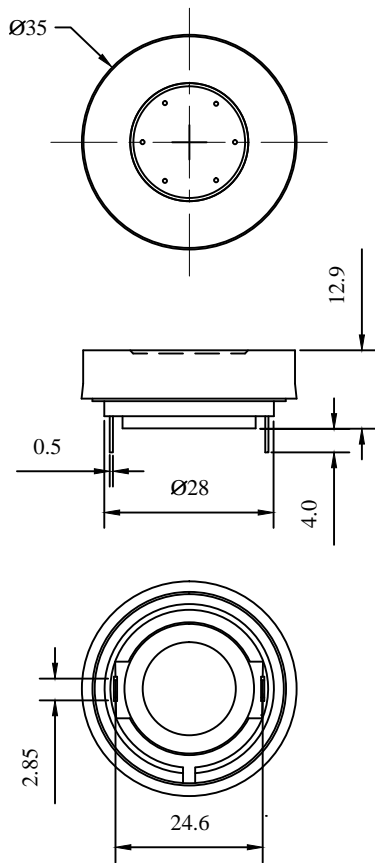
1. Features

3-1) Receiver unit for Telephone Handset, etc.

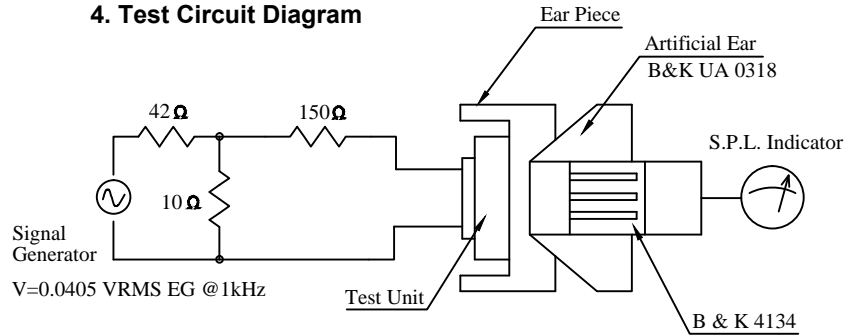
2. Specifications:

- 2-1) Sensitivity..... 89.0 dB SPL ± 2.0 dB @ 1kHz (0dB = 20 μ Pa)
- 2-2) Impedance..... 150 Ω at 1kHz
- 2-3) Distortion..... THD less than 5% for a sound pressure of +11dB Pa in the artificial ear at any frequency in the 300Hz to 3000Hz range
- 2-4) Magnetic Field Characteristics..... Magnetic Field Intensity - Axial Component, -19.0dB Minimum (at 1kHz) 0dB = AT/M
Magnetic Field Intensity - Radial Component, -27.0dB Minimum (at 1kHz) 0dB = AT/M

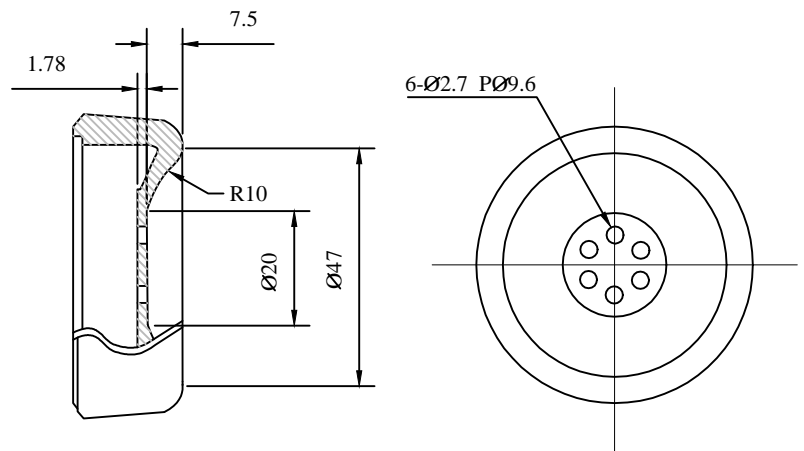
3. Appearance Drawing (mm)



4. Test Circuit Diagram



5. Ear Piece



6. Frequency Response

